

# PULLMAN-HOLT

## Replacement Parts List

Save For Future Reference

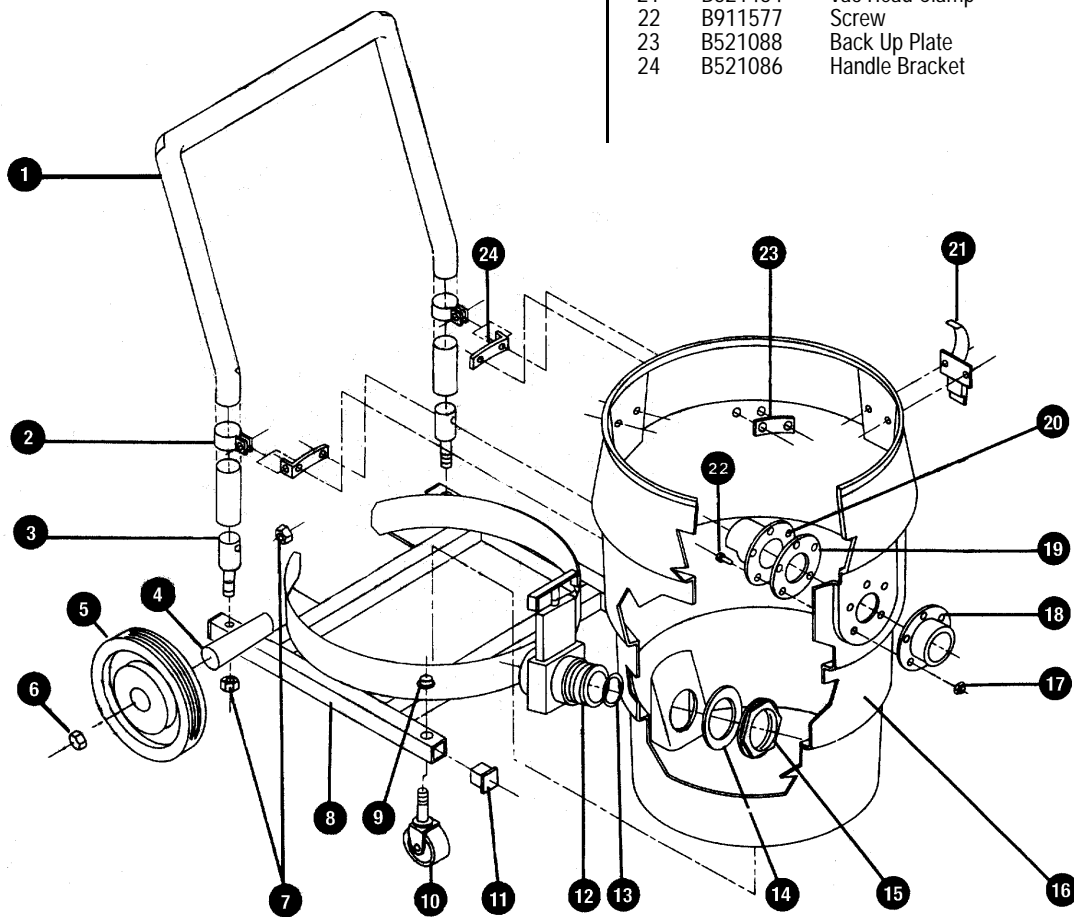
Model 102ASB-12P

Wet/Dry Asbestos Vacuum Cleaner

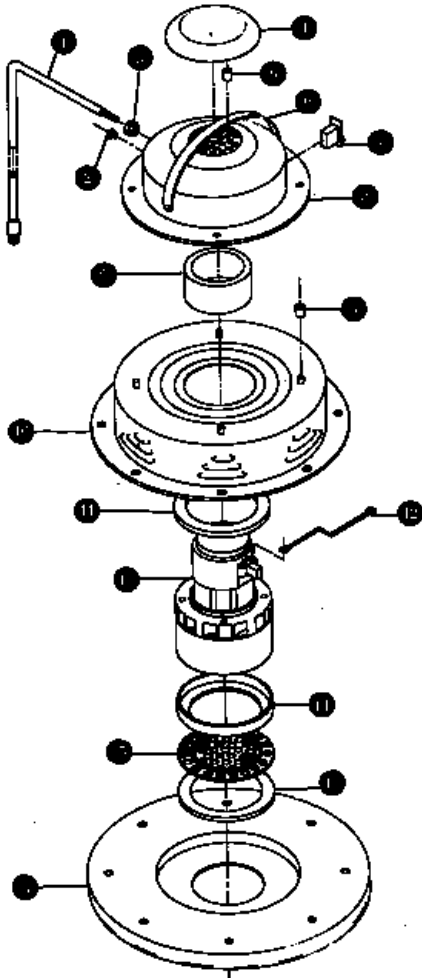


### REPLACEMENT PARTS LIST: VACMOBILE ASSEMBLY

Ref. No.	B Part No.	Description	Qty.	Ref. No.	B Part No.	Description	Qty.
1	B911992	Handle	1	10	B910518	Non-Lock,Caster	2
2	B520915	Handle Clamp	2	11	B520353	Trim Plug	2
3	B520104	Handle Support	2	12	B960941	Dump Valve	1
4	B980556	Washer	2	13	B700531	Gasket	1
5	B701575	Wheel	2	14	B700531	Gasket	1
6	B910073	Hub Cap	2	15	B980228	Flange Nut	1
7	B980557	Hex Nut	2	16	B522095	12 Gal. Poly Tank	1
8	B527138	Frame	1	17	B910035	Acorn Nut	5
9	B703549	Hub Cap	2	18	B260562	Inlet Connector	1
				19	B520376	Inlet Gasket	1
				20	B600664	Scoop	1
				21	B521454	Vac Head Clamp	3
				22	B911577	Screw	1
				23	B521088	Back Up Plate	2
				24	B521086	Handle Bracket	2



## REPLACEMENT PARTS LIST: MOTOR HEAD ASSEMBLY



Ref. No.	B Part No.	Description	Qty.
1	B701062	Cord Set	1
2	B910014	Ground Screw	1
3	B701063	Strain Relief	1
4	B600404	Splash Cover	1
5	B910055	Spacer	7
6	B911974	Handle	1
7	B701061	Rocker Switch	1
8	B522099	Dome	1
9	B521533	Gasket	1
10	B527458	Blower Chamber Assembly	1
11	B911803	Gasket	1
12	B910004	Wire Assembly	1
13	B527297	Motor Assembly	1
14	B910091	Gasket	1
15	B913397	Screen Fan Guard	1
16	B911803	Gasket	1
17	B600257	Can Cap	1
18	B160244	Complete Motorhead	1

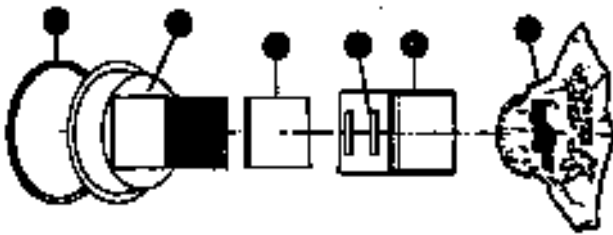


Spacer  
B520788



Wet pan  
B260200

## REPLACEMENT PARTS LIST: 16" HEPA FILTER



Ref. No.	B Part No.	Description	Qty.
1	B000404	Air Seal Gasket	1
2	B700030	16" Plastic HEPA	1
3	B700017	HEPA Prefilter	1
4	B527383	Velcro	2
5	B700306	Outer Filter	1
6	B000517	Never Clog Bag	1
	B524253	Paper Bag (not shown)	
	B524263	Poly Bag (not shown)	

NOTE: Using replacement HEPA filters other than original factory replacement filters supplied by Pullman-Holt will nullify all warranties, specific or implied.

### PULLMAN-HOLT

10702 N 46th Street • Tampa, FL 33617  
(813) 971-2223 • fax (813) 971-6090  
www.pullmanholtcorp.com