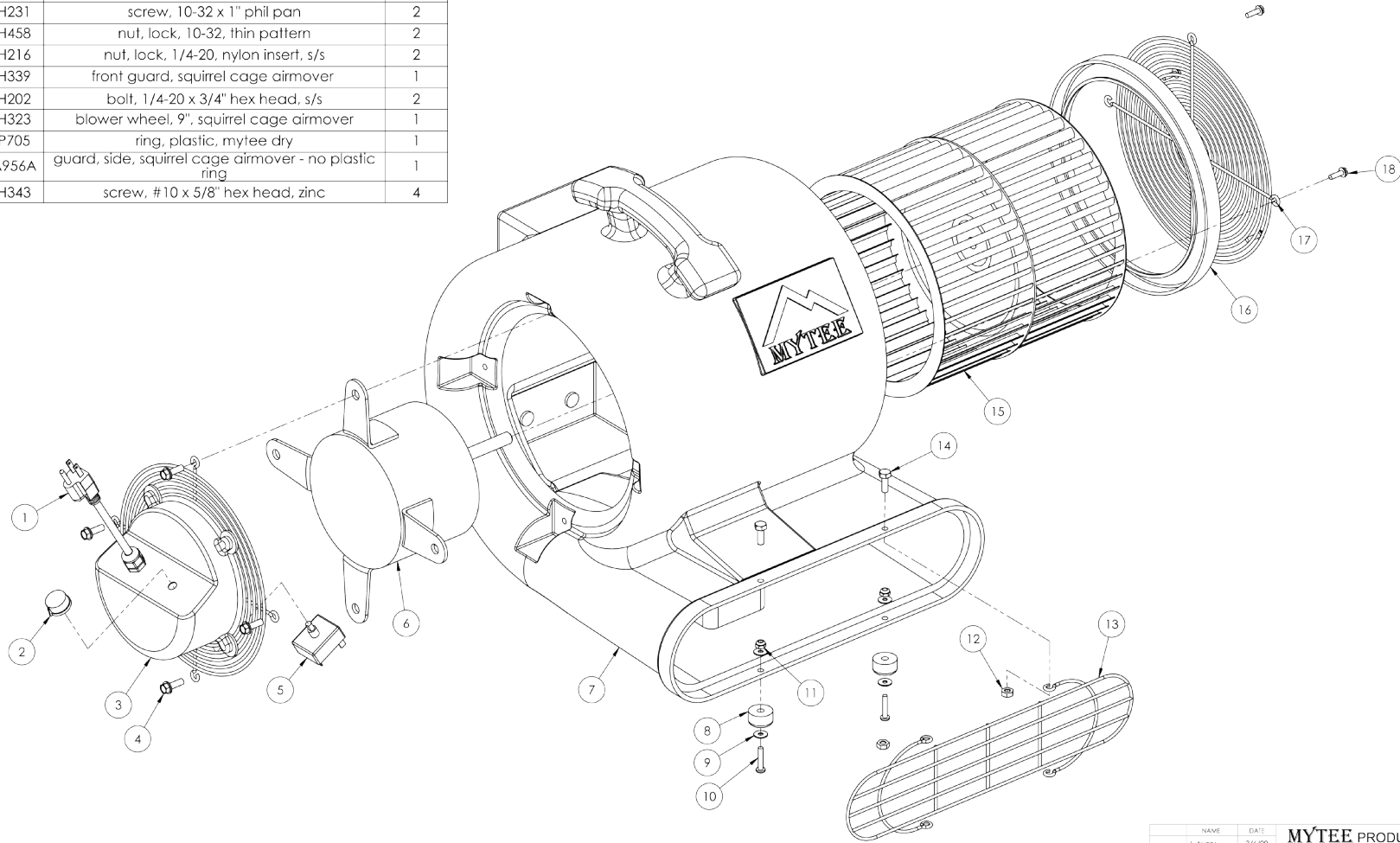




ENGLISH VERSION

ITEM NO.	PART NO.	DESCRIPTION	QTY.
1	E533	power cord, end, 25', 16/3	1
2	E504	knob, 4-pos switch	1
3	A955	guard, side, squirrel cage airmover - no plastic ring	1
4	H768	bolt, 1/4-20 x 3/4" serrated hex flange, zinc	4
5	E539	switch, 4 position rotary	1
6	C334	motor, air mover (3 speed 1/3 h.p.) 115v	1
7	P718	housing, airmover squirrel cage	1
8	G087	bumper w/ built in washer (rubber foot)	2
9	H289	washer, #10 flat, s/s	4
10	H231	screw, 10-32 x 1" phil pan	2
11	H458	nut, lock, 10-32, thin pattern	2
12	H216	nut, lock, 1/4-20, nylon insert, s/s	2
13	H339	front guard, squirrel cage airmover	1
14	H202	bolt, 1/4-20 x 3/4" hex head, s/s	2
15	H323	blower wheel, 9", squirrel cage airmover	1
16	P705	ring, plastic, mytee dry	1
17	A956A	guard, side, squirrel cage airmover - no plastic ring	1
18	H343	screw, #10 x 5/8" hex head, zinc	4



NAME	DATE	MYTEE PRODUCTS, INC. 858-679-1118
DRAWN J. Avory	3/6/09	
CHECKED		TITLE:
		Mytee-Dry Airmover 2200 CFM
<small>PROPRIETARY AND CONFIDENTIAL THE INFORMATION CONTAINED IN THIS DRAWING IS THE SOLE PROPERTY OF MYTEE PRODUCTS, INC. ANY REPRODUCTION IN WHOLE OR AS A WHOLE WITHOUT THE WRITTEN PERMISSION OF MYTEE PRODUCTS, INC. IS PROHIBITED.</small>		SIZE DWG. NO. REV C 2200 0D
SCALE: 1:3		<small>DO NOT SCALE DRAWING</small> SHEET 1 OF 1